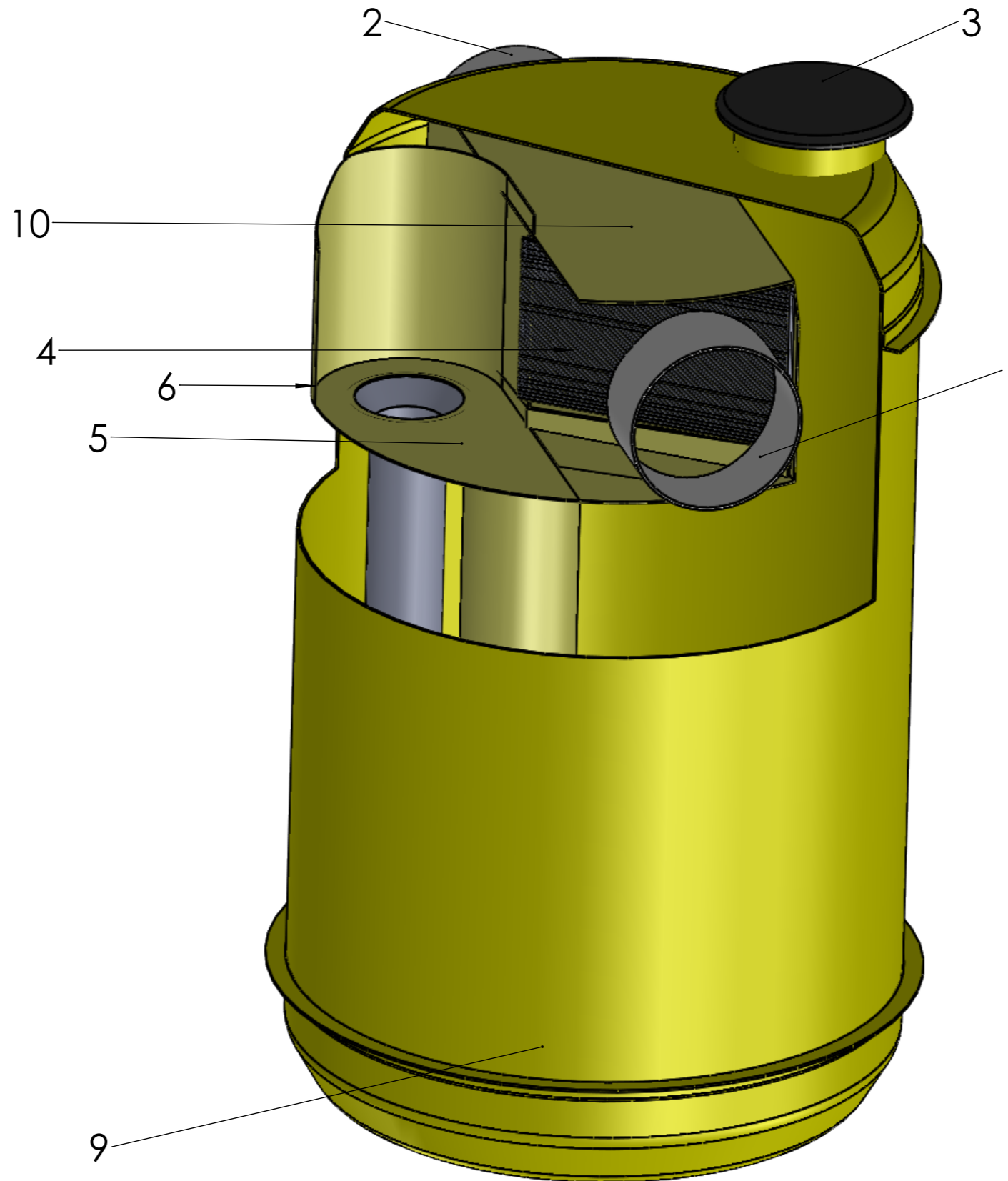


- 1. Inlet
- 2. Outlet
- 3. Manway and Covers:
Available in Standard or Customised Designs
- 4. Trash Screen
- 5. Trash Holding Area
- 6. Oil Holding
- 7. Inlet Vortex Tube
- 8. Outlet Riser
- 9. Silt Holding Chamber
- 10. Central Tube and cover



The EcoProtector is a hydrodynamic, full capture, high-capacity trash and debris removal GPT (Gross Pollutant aTrap) with superior litter and organic debris capture.

The EcoProtector has been designed to remove particles greater than 5mm using physical processes to trap solid waste such as litter and coarse sediment under low velocity conditions.

EcoProtectors are commonly used as the primary treatment for the removal of large, non-biodegradable pollutants in areas with a high fraction of impervious surfaces such as residential subdivisions, roads, carparks, industrial applications and any area that may require Stormwater treatment. Primary treatments include, physical screening, rapid sedimentation and separation processes.

The EcoProtector is designed and built as one homogeneous unit to allow easy handling, transport and most importantly, installation: One of the most significant advantages of the EcoProtector over any other alternative Gross Pollutant Trap.

Client:

APPROVED FOR CONSTRUCTION
This drawing replaces all previous revisions

Name: _____
Client: _____
Position: _____
Signed: _____
Date: _____

CONFIDENTIAL - The drawings must not be disclosed to any third parties without written permission from Protector. Unauthorised disclosure may result in prosecution.
© Protector - This drawing is the property of Protector ACN: 609512905 and is subject to return on demand. It is submitted for the use only in connection with the proposal and contracts of Protector with the expressed conditions that it is not to be reproduced or copied in any form. This data must only be used in accordance with our standard terms and conditions.
© Copyright
Protector accepts no responsibility for any loss or damage resulting from any person acting on this information. The details and dimensions contained in this document may change, please check with Protector for confirmation of current specifications.

Drawn By: _____ Date: _____

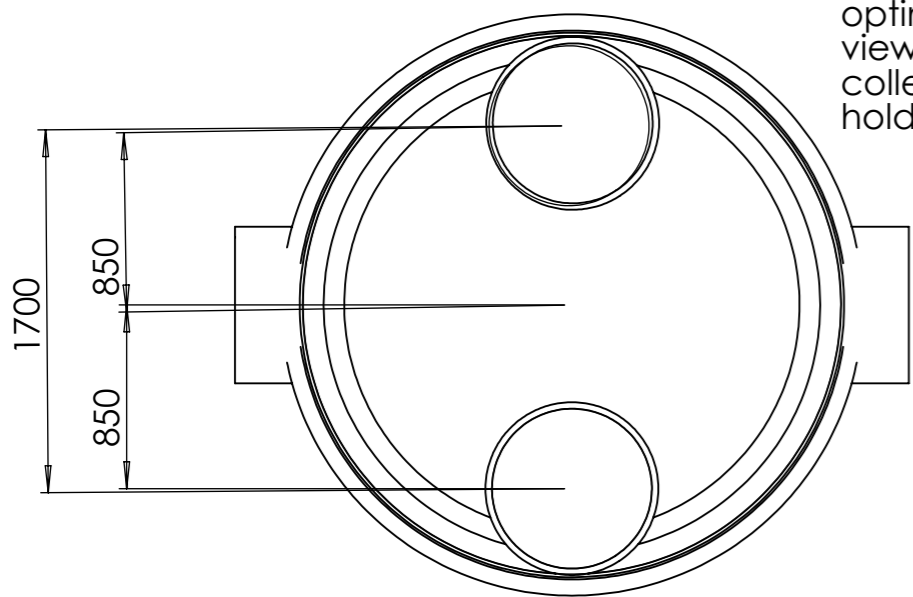
Checked By: _____ Date: _____

Approved By: _____ Date: _____

Dig Add

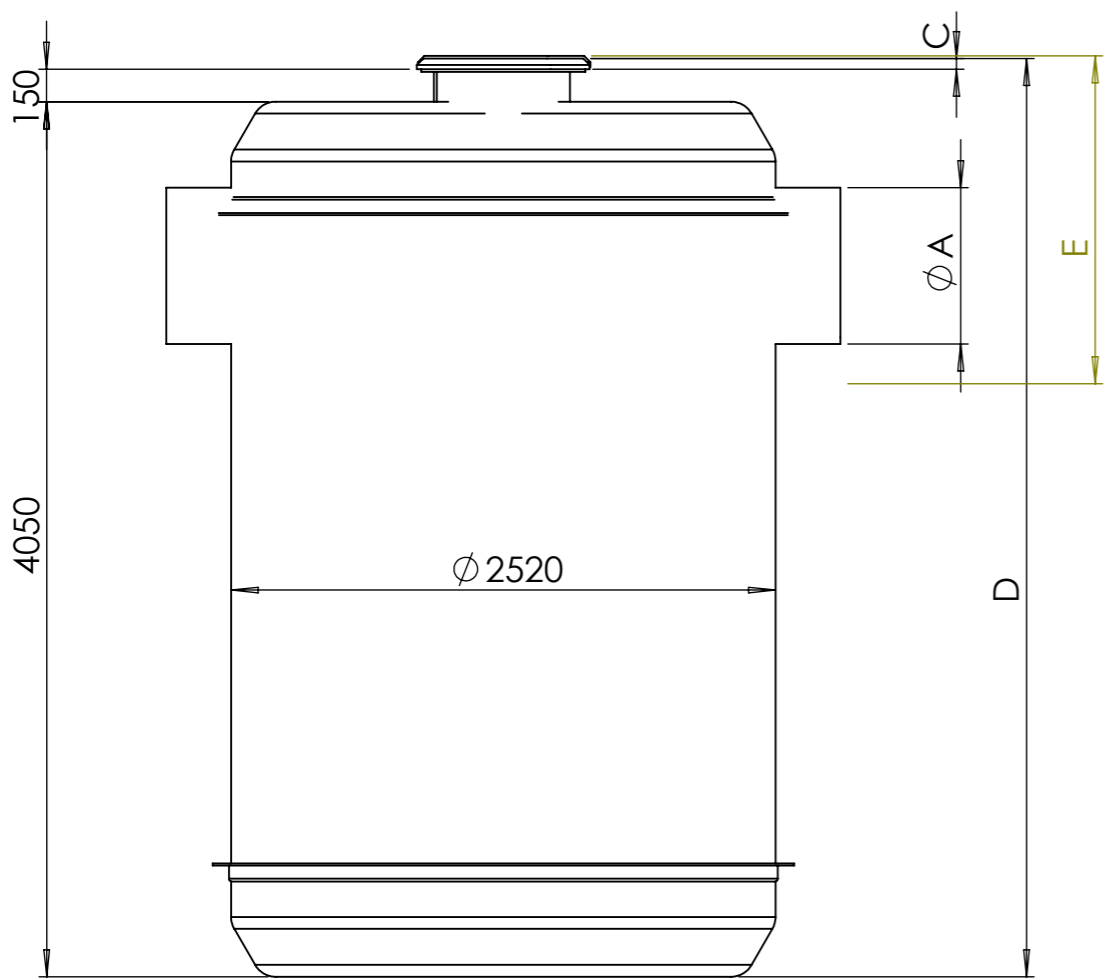
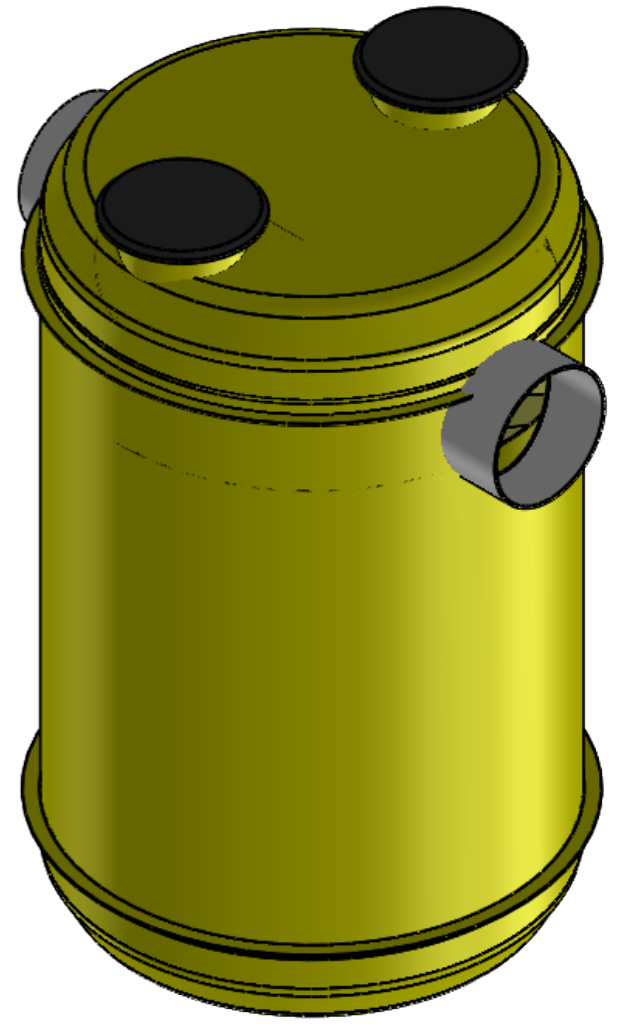


CUSTOMER NAME:		
CUSTOMER REF NO:		
PROJECT NAME:		
PART NO:		
DESCRIPTION:	HYDRODYNAMIC, FULL CAPTURE, HIGH CAPACITY TRASH AND DEBRIS REMOVAL GROSS POLLUTANT TRAP	
REF NO:	SIZE:	SHEET: 1
SCALE: N.T.S	DRAWING NO:	REV:



Manway Positions optimized for use in viewing Gross trash collector and of the Silt holding chamber.

MANWAY ACCESS COVERS			
Manway Class	Thickness C (mm)	Material	Total Height D (mm)
Class A	20	FibreGlass	3370
Class B	50	Cast Iron	3400
Class D	100	Cast Iron	3450



Inlet Diameter And Flow Rate Specification		
Product	Inlet/Outlet Inner Diameter A (mm)	Invert level (E)
EPC.2500.450	450	1100
EPC.2500.525	525	1150
EPC.2500.600	600	1200
EPC.2500.675	675	1250
EPC.2500.750	750	1300
EPC.2500.825	825	1350
EPC.2500.900	900	1400
EPC.2500.975	975	1450
EPC.2500.1050	1050	1500
EPC.2500.1125	1125	1550

Client:

APPROVED FOR CONSTRUCTION
This drawing replaces all previous revisions

Name: _____
Client: _____
Position: _____
Signed: _____
Date: _____

CONFIDENTIAL - The drawings must not be disclosed to any third parties without written permission from Protector. Unauthorised disclosure may result in prosecution.
© Protector - This drawing is the property of Protector ACN: 609512905 and is subject to return on demand. It is submitted for the use only in connection with the proposal and contracts of Protector with the expressed conditions that it is not to be reproduced or copied in any form. This data must only be used in accordance with our standard terms and conditions.
© Copyright
Protector accepts no responsibility for any loss or damage resulting from any person acting on this information. The details and dimensions contained in this document may change, please check with Protector for confirmation of current specifications.

Drawn By: _____ Date: _____
Checked By: _____ Date: _____
Approved By: _____ Date: _____
Dig Add



CUSTOMER NAME: _____
CUSTOMER REF NO: _____
PROJECT NAME: _____
PART NO: _____
DESCRIPTION: HYDRODYNAMIC, FULL CAPTURE, HIGH CAPACITY TRASH AND DEBRIS REMOVAL GROSS POLLUTANT TRAP
REF NO: _____ SIZE: _____ SHEET: 1
SCALE: N.T.S DRAWING NO: _____ REV: _____

Installation

The EcoProtector is designed and built as one homogeneous unit to allow easy handling, transport and most importantly, installation:

One of the most significant advantages of the EcoProtector over any other alternative Gross Pollutant Trap. Ease of onsite installation and access, no heavy cranes and without the assembly of heavy concrete sections in the ground results in considerable cost savings:

EcoProtector cuts down the labour and saves time and money! A complete installation hand book is supplied to ensure the installation goes smoothly and to plan.

The guide provides advice for lifting, OHS measures, handling techniques and other important requirements. Installation is typically:

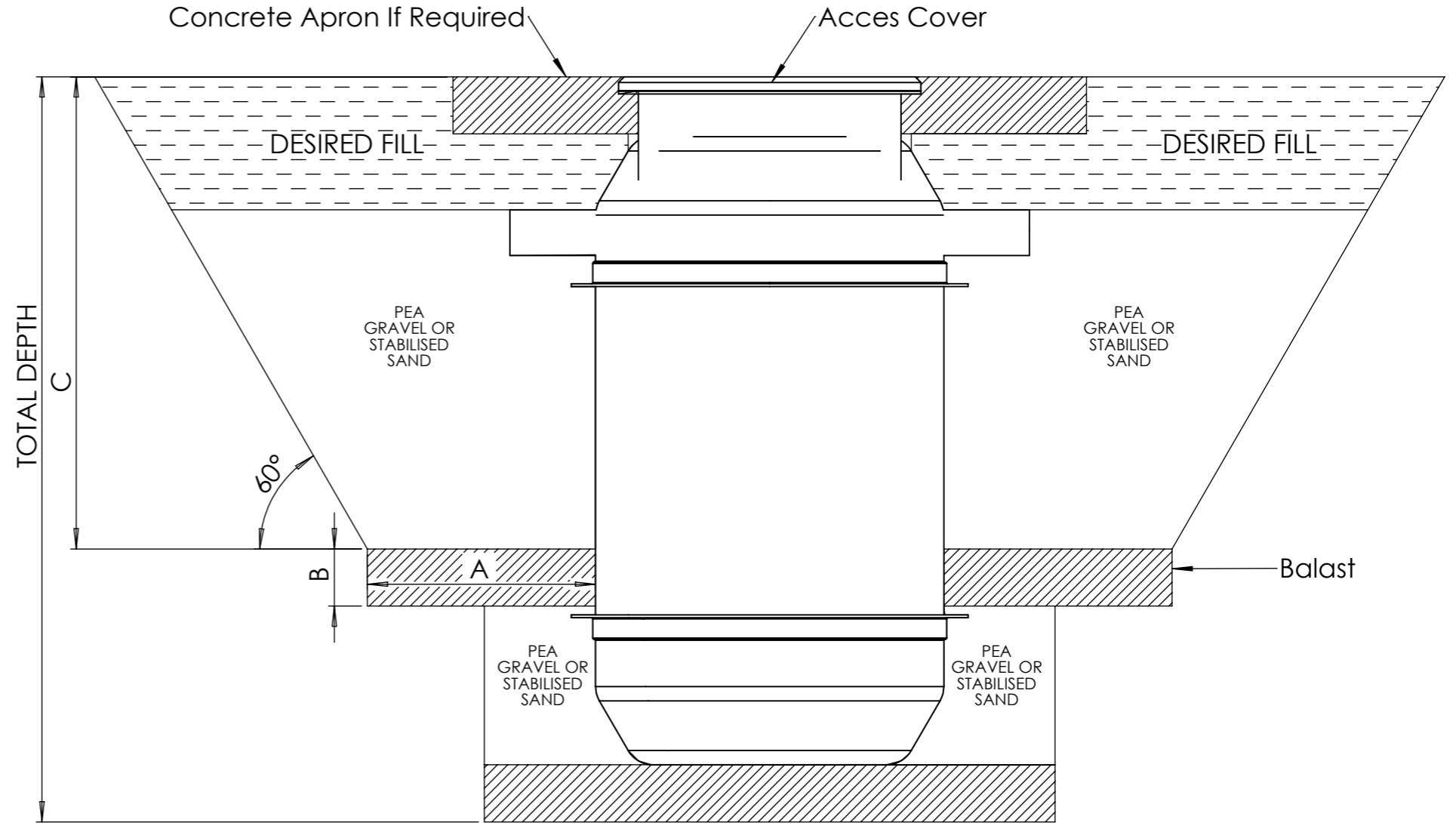
1. Excavate hole
2. Place station in hole
3. Fill well with water about 20% of total volume
4. Back fill to locking ring
5. Pour ballast
6. Install all connections as per manual*
7. Back fill and pour top slab and install access cover

*All installation requirements are as per installation data manual.

Engineering

All EcoProtectors have been individually engineered to handle the toughest environmental situations and proven in the toughest environments such as high water tables and volcanic soils. Problems in these areas have been solved with the installation of the EcoProtector.

The Packaged EcoProtectors are engineered to the following Standards: BS4994 – 1987, AS/NZS 1546.1:1998. Hydraulic and civil engineering can also be provided to your requirements.



Dimension	(mm)
A	840
B	500
C	3500
TOTAL DEPTH	4700
Volume of Concrete Balast (m ³)	6.6



Client:

APPROVED FOR CONSTRUCTION
This drawing replaces all previous revisions

Name: _____

Client: _____

Position: _____

Signed: _____

Date: _____

CONFIDENTIAL - The drawings must not be disclosed to any third parties without written permission from Protector. Unauthorised disclosure may result in prosecution.
© Protector - This drawing is the property of Protector ACN: 609512905 and is subject to return on demand. It is submitted for the use only in connection with the proposal and contracts of Protector with the expressed conditions that it is not to be reproduced or copied in any form. This data must only be used in accordance with our standard terms and conditions.
© Copyright
Protector accepts no responsibility for any loss or damage resulting from any person acting on this information. The details and dimensions contained in this document may change, please check with Protector for confirmation of current specifications.

Drawn By:

Date:

Checked By:

Date:

Approved By:

Date:

Dig Add



CUSTOMER NAME:

CUSTOMER REF NO:

PROJECT NAME:

PART NO:

DESCRIPTION:

HYDRODYNAMIC, FULL CAPTURE, HIGH CAPACITY TRASH AND DEBRIS REMOVAL GROSS POLLUTANT TRAP

REF NO:

SIZE:

SHEET: 1

SCALE: N.T.S

DRAWING NO:

REV: